

AiMC-3202

Micro Computer with Intel® Core™ i7/i5/i3 Processor, Intel® H110 Chipset, 2 x Expansion Slots, and 250W 80PLUS PSU

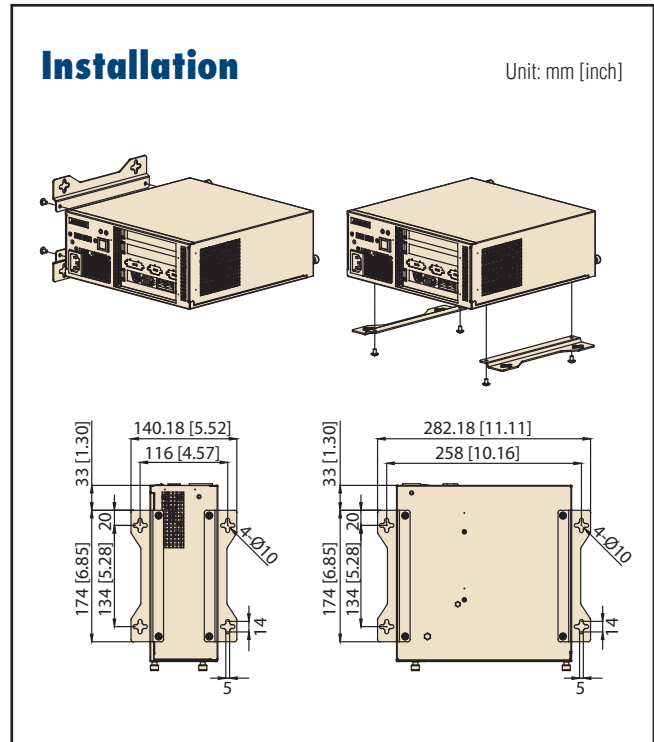
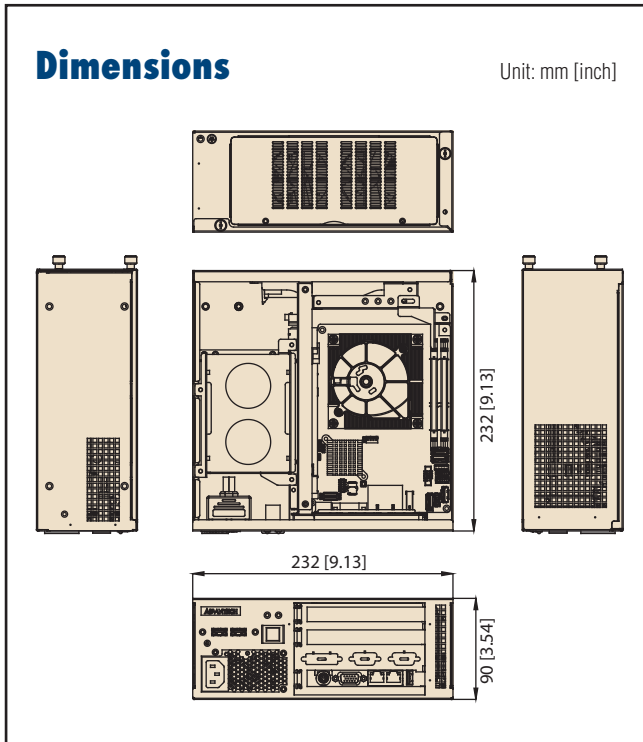


Features

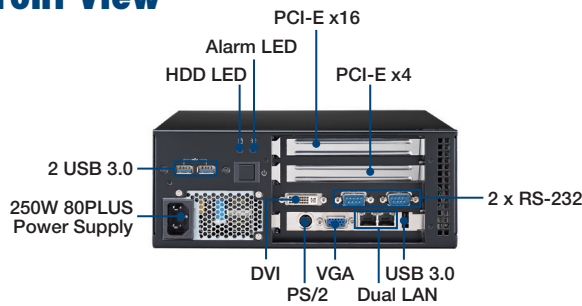
- Intel® 6th/7th Gen Core™ i7/i5/i3/Celeron® processor with Intel® H110 chipset
- 1 x PCIe x16 (1 x PCI for AIMC-3202-01) and 1 x PCIe x4 expansion slots
- Compact design with front-accessible I/O
- 1 x VGA+DVI-D, 2 x GbE LAN, 3 x USB 3.0, 2 x COM
- 2 x 2.5" internal, shock-resistant SATA HDD bays
- Supports chassis intrusion alerts
- 250W 80PLUS PSU offers energy savings

Specifications

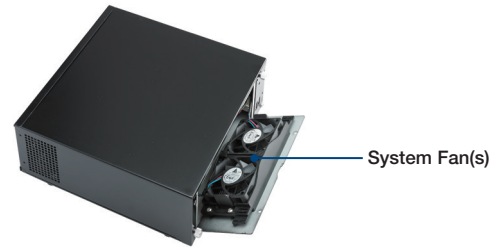
	CPU	i7-7700	i5-7500	i3-7100E	i7-7700T	i5-7500T	i3-7101TE	i7-6700	i5-6500	i3-6100	i7-6700TE	i5-6500TE	i3-6100TE	G4400TE	G3900TE	
Processor	Core	4	4	2	4	4	2	4	4	2	4	4	2	2	2	
	Base Frequency	3.6 GHz	3.4 GHz	3.9 GHz	2.9 GHz	2.7 GHz	3.4 GHz	3.4 GHz	3.2 GHz	3.7 GHz	2.4 GHz	2.3 GHz	2.7 GHz	2.9 GHz	2.6 GHz	
	L3 Cache	8 MB	6 MB	3 MB	8 MB	6 MB	3 MB	8 MB	6 MB	4 MB	8 MB	6 MB	4 MB	3 MB	2 MB	
	TDP	65W	65W	65W	35W	35W	35W	65W	65W	65W	35W	35W	35W	35W	35W	
	Chipset	Intel® H110														
	BIOS	AMI 128Mb SPI Flash														
Memory	Technology	Dual-channel DDR4 1866/2133 MHz (non-ECC)														
	Max. Capacity	32 GB (16 GB per DIMM)														
	Socket	2 x 260-pin SODIMM														
Graphics	Integrated Chipset	Intel® HD Graphics														
	Interface	2 x RJ45, 10/100/1000 Mbps														
Ethernet	Controller	LAN 1: Intel® i219V LAN 2: Intel® i211AT														
Expansion Slots (AIMC-3202-00)	PCI Express x16	1 (Upper-layer slot); full height: 111.15 mm, length: max. 180 mm														
	PCI Express x4	1 (lower-layer slot); full height: 111.15 mm, length: max. 180 mm														
Expansion Slots (AIMC-3202-01)	PCI Express x16	1 (lower-layer slot); full height: 111.15 mm, length: max. 180 mm														
	PCI	1 (Upper-layer slot); full height: 111.15 mm, length: max. 180 mm														
SATA	Data Transfer Rate	600 MB/s (SATA 3.0)														
	HDD Bay	2 x 2.5" internal SATA HD (height: max. 15 mm)														
I/O Interface	Display	VGA+DVI-D (1920 x 1200 pixel @ 60Hz)														
	USB	3 x USB 3.0, 1 x USB 2.0 internal type-A for software key														
	Serial	2 x RS-232														
	PS/2	1														
Watchdog Timer	Output	System reset														
	Interval	Programmable 1 ~ 255 sec/min														
Power Supply	Output Rating	AC 250W, ATX														
	Input Voltage	100 ~ 240 V _{AC}														
Cooling	System Fan	2 (6 cm/14.1CFM)														
	Air Fan	Yes														
Miscellaneous	Chassis Intrusion Alert	Yes														
	LED Indicators	Power, HDD, temperature														
	Control	Power on/off switch														
Environment		Operating										Non-operating				
	Temperature	0 ~ 40 °C (32 ~ 104 °F)										-20 ~ 60 °C (-4 ~ 140 °F)				
	Humidity	10-85% @ 40 °C non-condensing														
	Vibration	1Gms, random, 5 ~ 500 Hz, 3 axes, 1 hr/axis										2Gms, random, 5 ~ 500 Hz, 3 axes, 1 hr/axis				
	Shock	10G, half sine wave, 11ms duration														
	EMC	CE/FCC, CCC, BSMI														
Physical Characteristics	Safety	UL/CB, CCC, BSMI														
	Dimensions (W x H x D)	232 x 90 x 232 mm (9.13" x 3.54" x 9.13")														
	Weight	4.5 kg														



Front View



Rear cover for easy fan replacement



Ordering information

Part Number	VGA	DVI	USB 3.0	GbE	RS-232	PS/2	PSU	PCIe	PCI	Cooler
AIMC-3202-00A1E	1	1	3	2	2	1	250W	2 (x16/x4)	-	1.5U/1U
AIMC-3202-01A1E	1	1	3	2	2	1	250W	1 (x16)	1	1.5U/1U

Packing List

Part Number	Description	Quantity
AIMC-3202-0xA1E	AIMC-3202 bare system	1
2061302902	Driver CD	1
1700002223	LPT cable	1
1700014398-11	4-port USB 2.0 cable with bracket	1
1700020277-01	2 port USB 3.0 cable with bracket	1
1700060202	PS/2 cable	1

Optional Accessories

Part Number	Description
1960053207N001	1.5U cooler for all CPUs, supports 1 expansion slot
1960053065N001	1U cooler for CPU iX-XXXXTX and GXXXXXX, supports 2 expansion slots
PCIE-1674PC-AE	4-port PCI express GbE PoE card
PCIE-1672PC-AE	2-port PCI express GbE PoE card
PCA-COM485-00A1E	4-port RS-485/422 module by LPC
PCA-COM232-00A1E	4-port RS-232 module by LPC
PCA-AUDIO-HDA1E	Audio extension module with HD audio interface
PCA-TPM-00A1E	Trusted platform module compliant with TCG 1.2
98R1320210E	6025 fan module

Note: Customers must use the Advantech proprietary CPU cooler. Other brands of CPU coolers are NOT compatible.