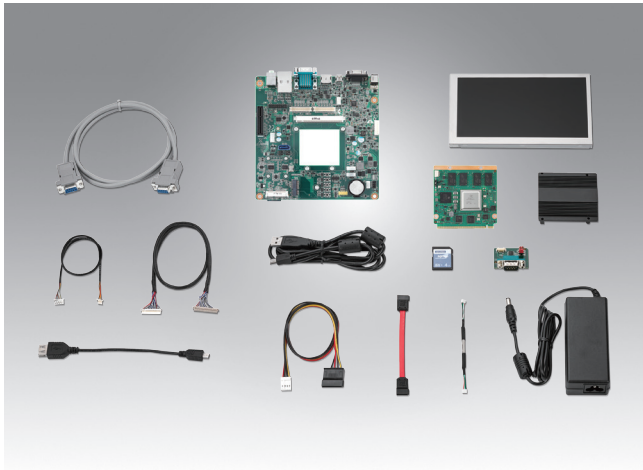


ROM-7510 Evaluation Kit

Development Kit for Qseven 2.0 CPU
Module ROM-7510



Features

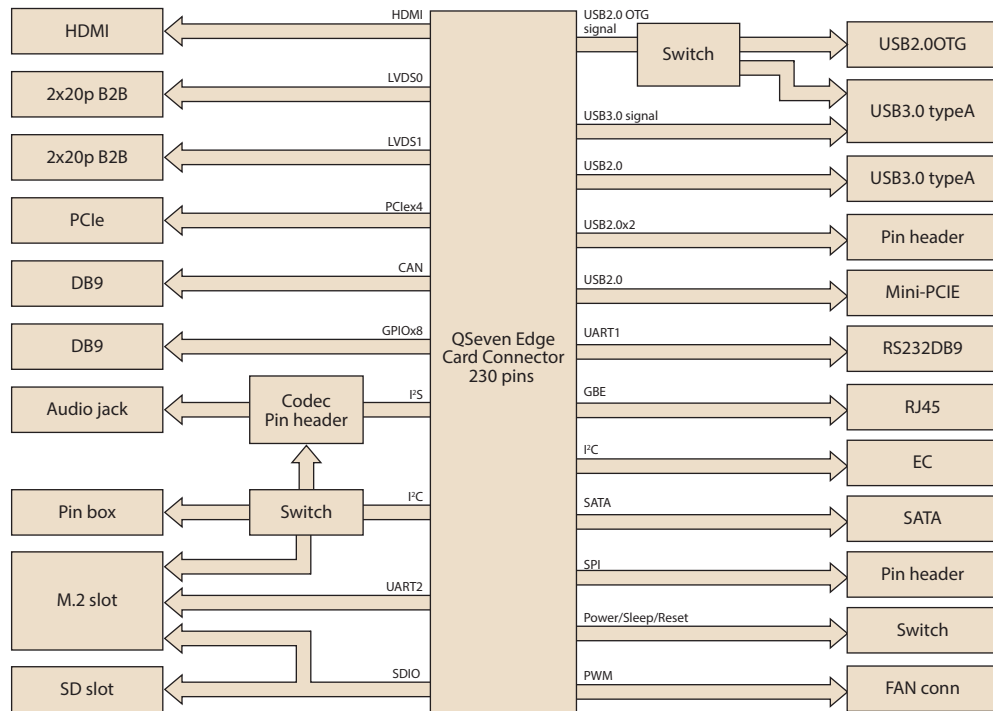
- Evaluation kit for ROM-7510
- Enhanced performance TI Sitara AM5728 Dual core cortex-A15 1.5GHz high performance processor
- Onboard DDR3 2GB memory and eMMC 8GB
- HDMI, Dual channel 24bit LVDS, 1920 x 1080
- Supports 8 GB eMMC Flash, 1 SD/MMC, 1 SATA
- Supports 1 PCIe, 1 GbE, 4 USB 2.0, 1 USB OTG2.0, 1 SATAII, 1 I²C, 1 I²S, 1 CANbus, 8 GPIO
- Cable pack & panel included
- Evaluative image & test utility built-in



Specifications

Form Factor		ROM-7510 Evaluation Kit
Processor System	CPU	TI Sitara AM5728 Dual core cortex-A15 1.5GHz
Memory	Technology	DDR3 1066 MHz
	Capacity	On-board DDR3 2 GB
	Flash	8 GB eMMC NAND Flash for O.S. and 4 MB SPI NOR Flash for Advantech boot loader
Graphics	LVDS	1 Dual 24-bit LVDS, 1920 x 1080 at 60Hz
	HDMI	1920 x 1080 at 60Hz
	Parallel RGB	-
	VGA	-
	Graphics Engine	2D-Graphics Accelerator (BB2D) Subsystem and Dual-Core PowerVR [®] SGX544™ 3D GPU
Ethernet	H/W Video Codec	Video Processing Engine (VPE)
	Chipset	TI AM5728 Integrated RGMII
	Speed	1 10/100/1000 Mbps
RTC	RTC	Yes
WatchDog Timer		HW Watchdog Timer
I/O	SATA	1 SATAII
	USB	1 x USB3.0 (Option to USB2.0 OTG x 1), 4 x USB2.0 Host
	Audio	1 Line in, 1 Audio out
	SPDIF	-
	SDIO	1 SD card slot
	Serial Port	1 RS-232 (4-wire) by DB9
	SPI	1
	CAN	1 CAN bus 2.0B by DB9
	GPIO	8 by DB9
	I ² C	1
	Camera Input	-
	System Bus	-
	Touch	-
	Keypad	-
Expansion	PCIe Slot	2 PCIe x1
	M.2 slot E-Key	1 SDIO/UART/I2C single
	Mini-PCIE	1 USB single only
	SIM slot	1
Power	Power Supply Voltage	12V DC Jack
	Power Consumption	10W @ BurnIn
Environment	Operating Temperature	0 - 60 °C
	Operating Humidity	5% - 95% relative humidity, non-condensing
Mechanical	Dimensions (W x D)	170 x 170 mm
Operating System		Linux
Certifications		CE/FCC Class B

Block Diagram



Ordering Information

Part No.	Description
ROM-DK7510-FOA1E	ROM-7510 Evaluation Kit
ROM-DB7502-SCA1E	Development board for Qseven2.0 Module series
ROM-7510CD-PEA1E	ROM-7510 Q7 TI AM5728DC 1.5GHz 0 ~ 60 °C
ROM-7510WD-PEA1E	ROM-7510 Q7 TI AM5728 1.5GHz -40 ~ 85 °C

Packing List

Part Number	Description
96967510002	ASS'Y ROM-7510,2G DDR3,8G NAND
96967502001	ASS'Y ROM-DB7502 Q7 carrier board
9696MEG5200	Codec BOARd for TI AM57xx/AM335X
ROM-ED20-00A1E	Debug Adapter board
1700022373-01	Cable for debug board
1700002204	USB pin header to USB Type A
1700004711-11	M Cable SATA 7P/SATA 7P 8CM C=R 180/180
1700018785	SATA Power cable 15P/1*4P-2.5 35cm
1700019474	M Cable D-SUB 9P(F)/D-SUB 9P(F) RS232/RS485100c
1700006911	M Cable USB-A 4P(F)/M-USB 5P(M) 11cm C=B
1700019077-11	M Cable USB-A 4P(F)/M-USB 5P(M) 11cm C=B
IDK-1107WR-40WVA1E	7" LED PANEL 400N 800X480(G) witch touch
1700027805-01	LVDS signal cable
1700027806-01	LVS Power cable
SQF-ISDS1-8G-82C	SQF SDHC C10 SLC 8G, 1CH (0~70°C)
96PSA-A36W12R1	ADP A/D 100-240V 36W 12V W/PFC DC PLUG 90°
1700001524	Power Cord 3P UL 10A 125V 180cm
2006542030	Risc user note
1960081645T001	Heatspreader for ROM-7510
1960061089N001	Heatsink
193B021490	Screw M2.5x14L F/S D=4.5 H=1 (1+) ST BZn NK
1930006016-02	Screw M2.5x11L F/S D=5 H=0.8 (1+) ST/H Ni

Option Accessories

Part No.	Description
170203183C	Power Code 3P EU 183cm
170203180A	Power Cord 3P UK 183cm
1700008921	Power Cord 3P PSE 183cm
SQF-ISDS1-4G-82C	SQF SDHC C10 SLC 4G, 1CH (0~70°C)
SQF-ISDS1-8G-82E	SQF SDHC C10 SLC 8G, 1CH (-40~85°C)
968AD00018	Wifi BT module AW-NB136NF
175000284	Wireless Antenna R-AN2450-5701RS R/P SM
1750007965-01	Antenna Cable R/P SMA (M) to MHF4, 300mm
968AD00081	Quectel EC20CEFA Mini-PCle 4G module
1750006264	Antenna cable SMA(F)/MHF 15cm
1750007990-01	Antenna 4G/LTE full band L=11 cm 50 Ohm