

AIMB-723 4U CPU Cooler Installation SOP

Ming.Cheng, AE IASG IIOT, Advantech

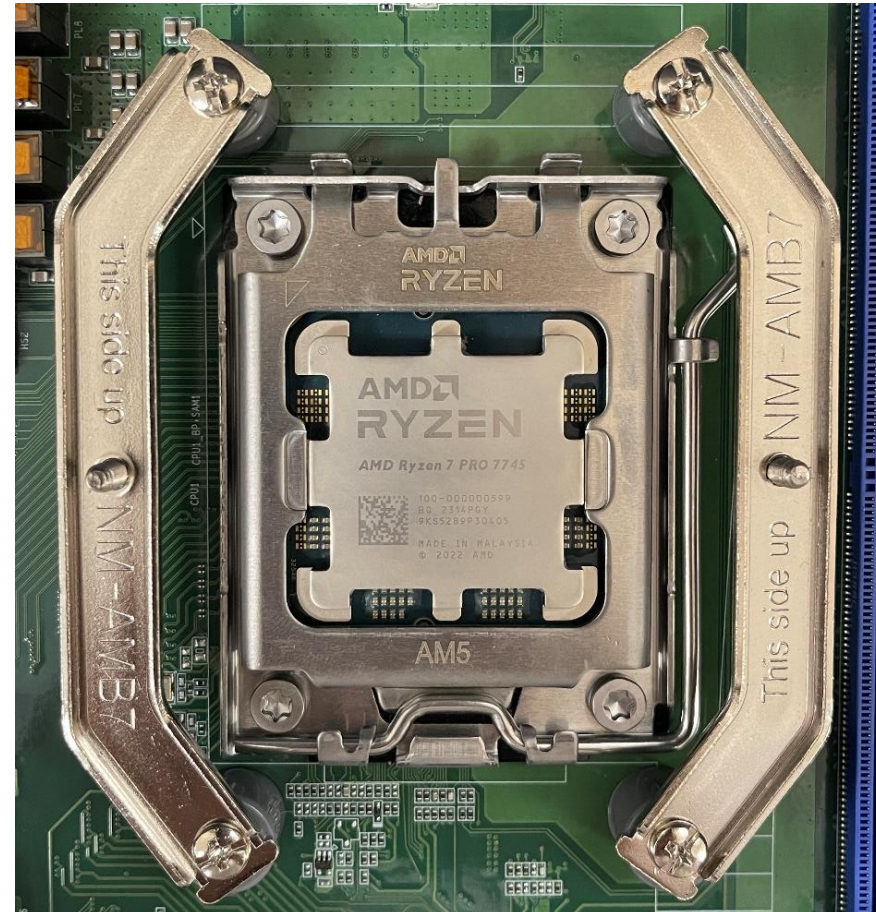
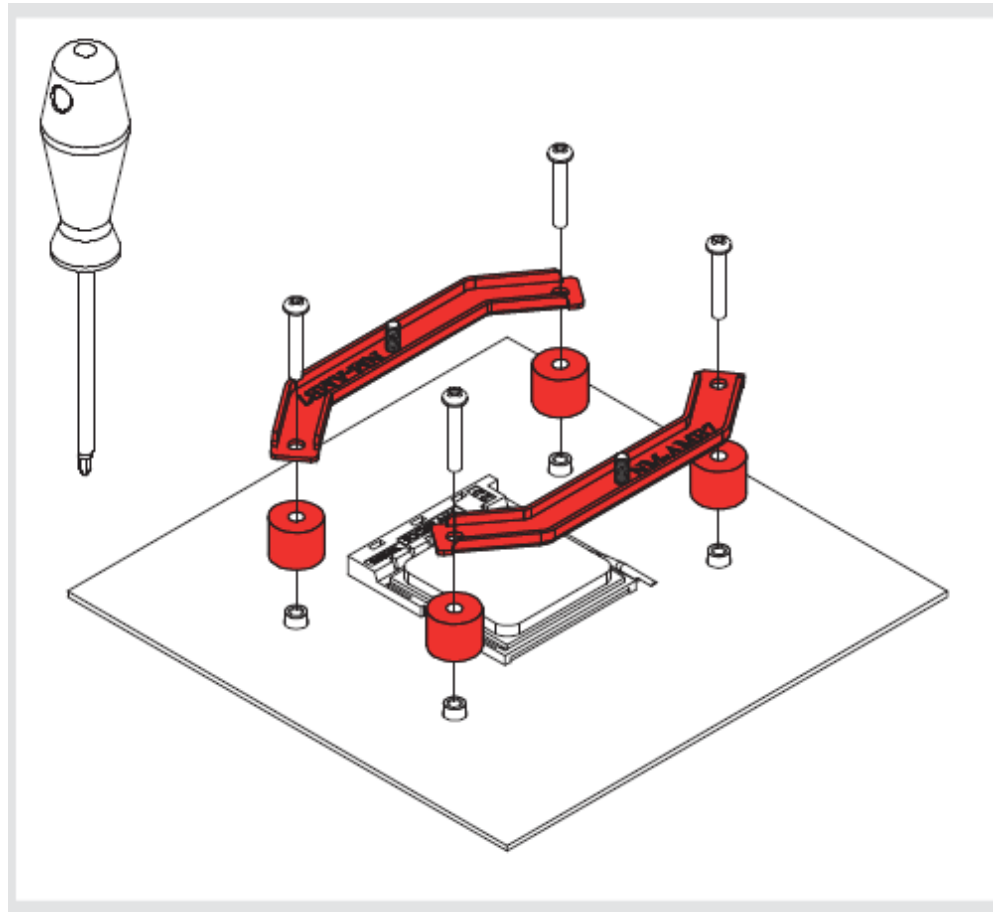


Required mounting parts



Attaching the mounting bars

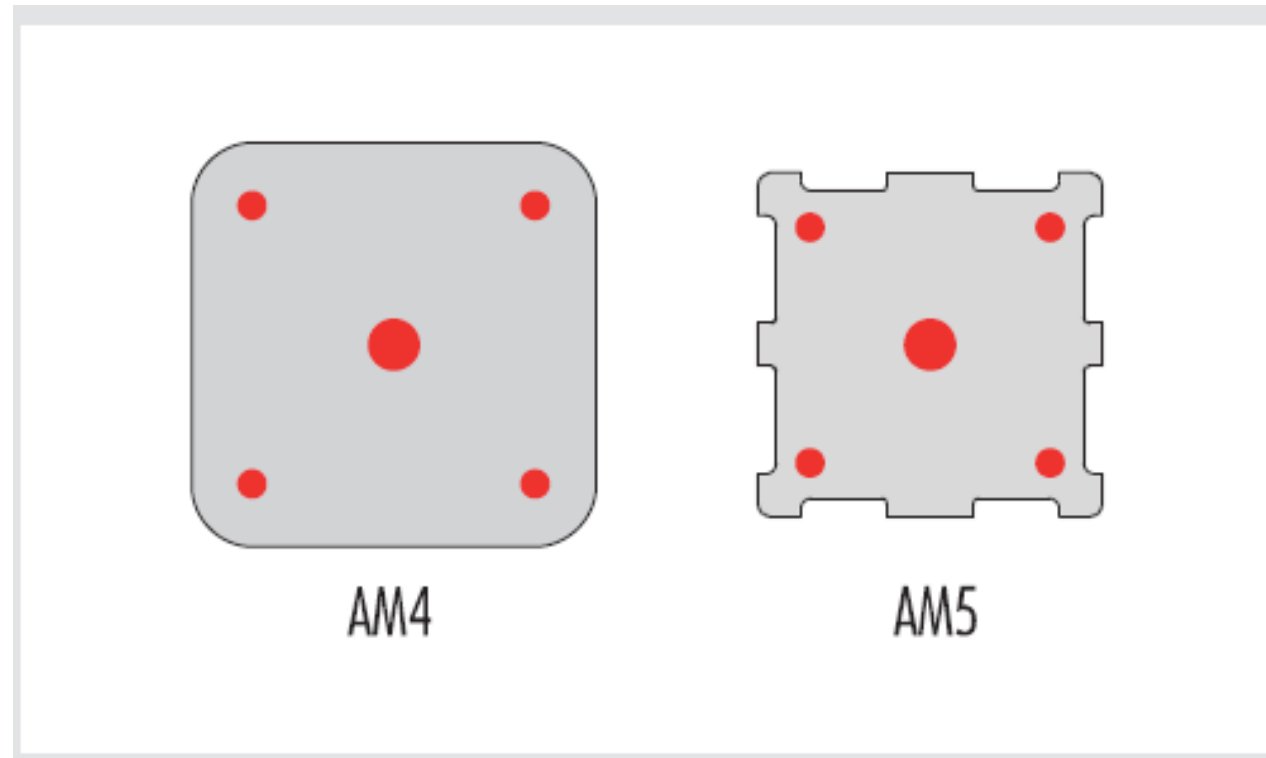
First, put the plastic spacers onto the screw threads of the backplate, then fix the mounting bars using the four lone screws.



Applying the thermal paste

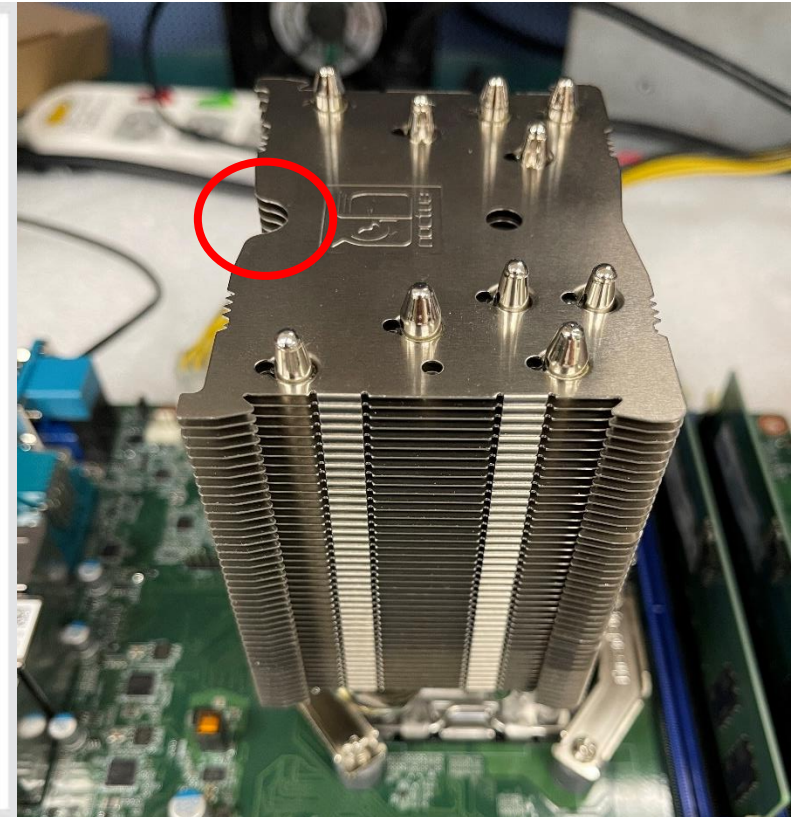
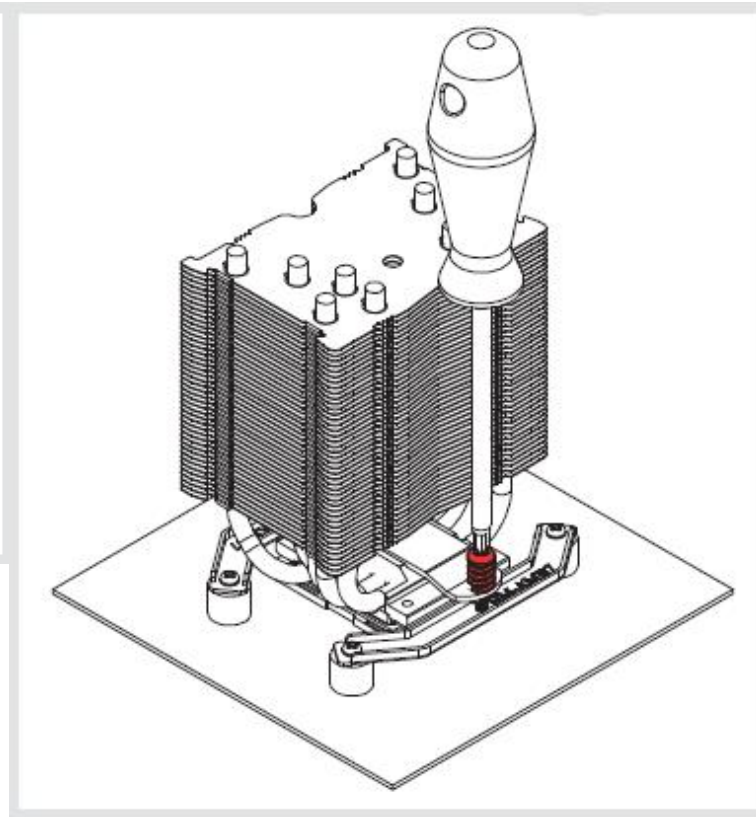
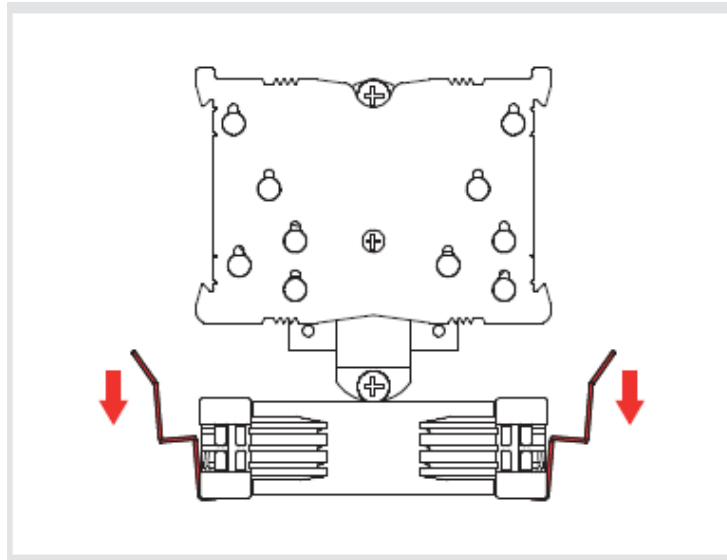
If there are residual traces of thermal paste or thermal pads on your CPU, please clean them off first.

Apply 5 small dots; 4 small dots near the corners plus 1 dot in the centre.



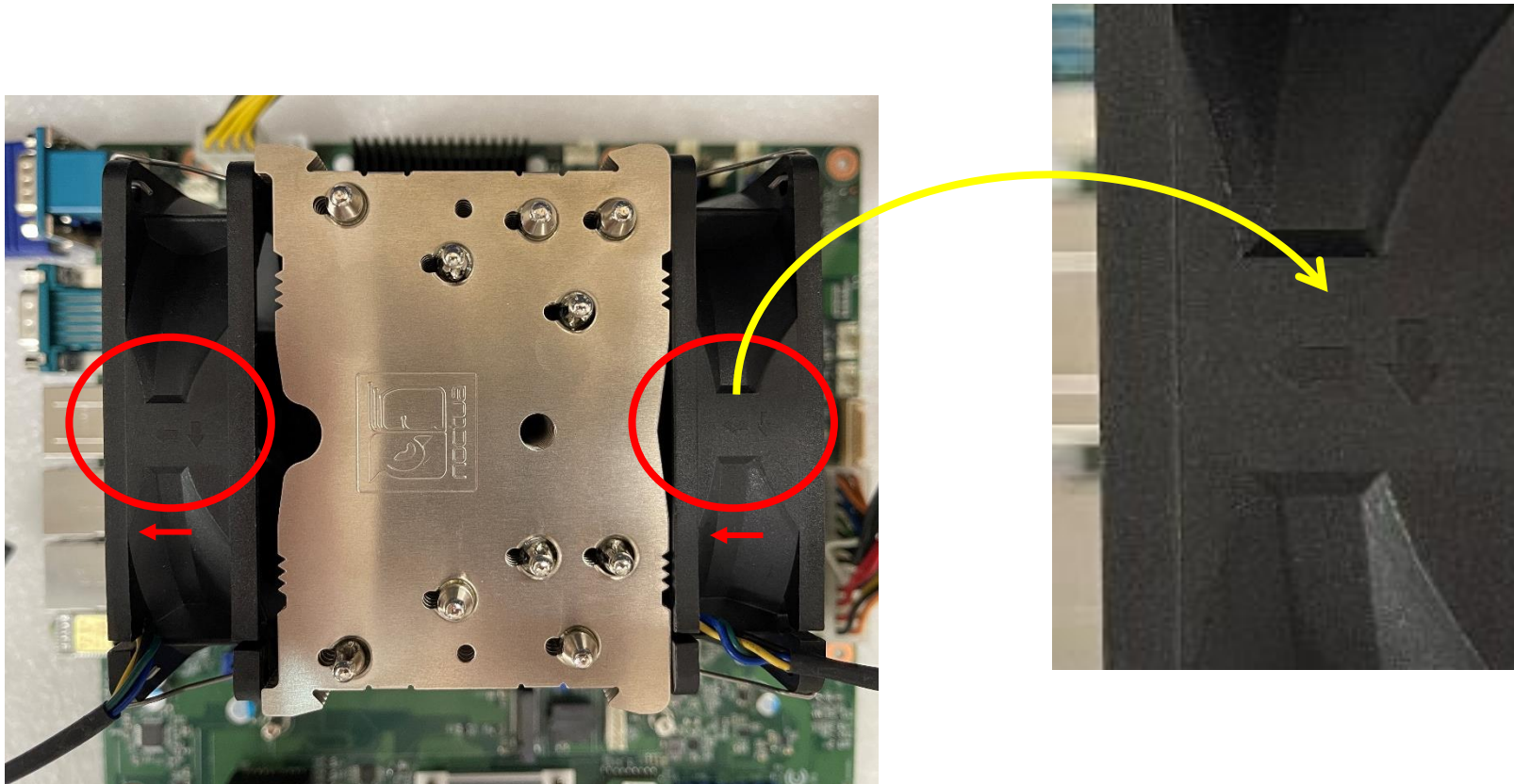
Fastening the heatsink to the CPU

First, take off the fan as well as the protection cover at the bottom side of the heatsink. Then put the heatsink onto the CPU and screw it to the two screw threads of the mounting bars. Caution, the direction of the screw hole.



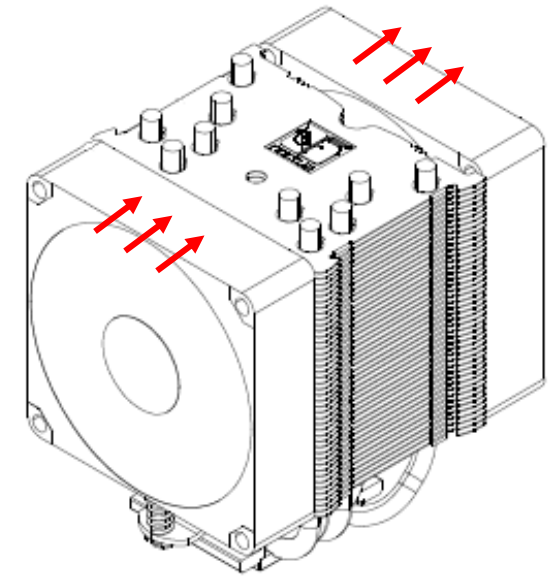
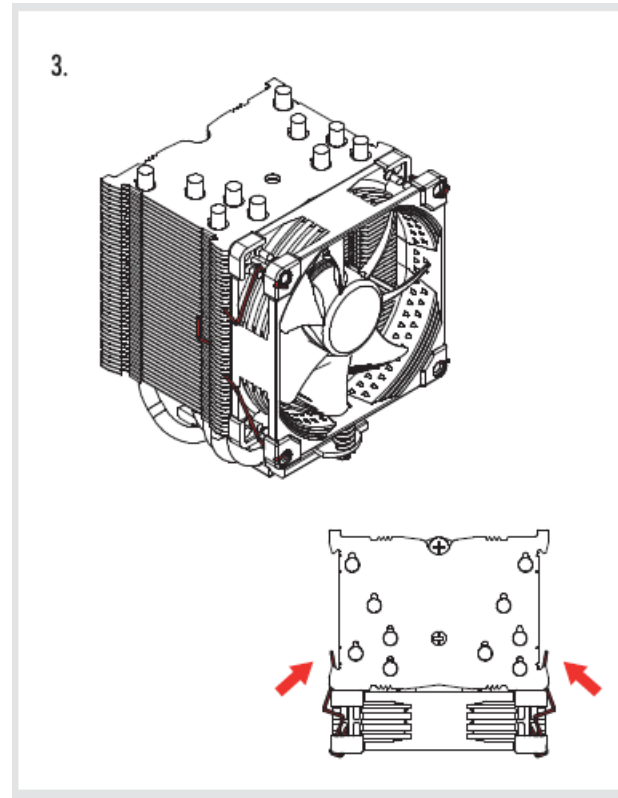
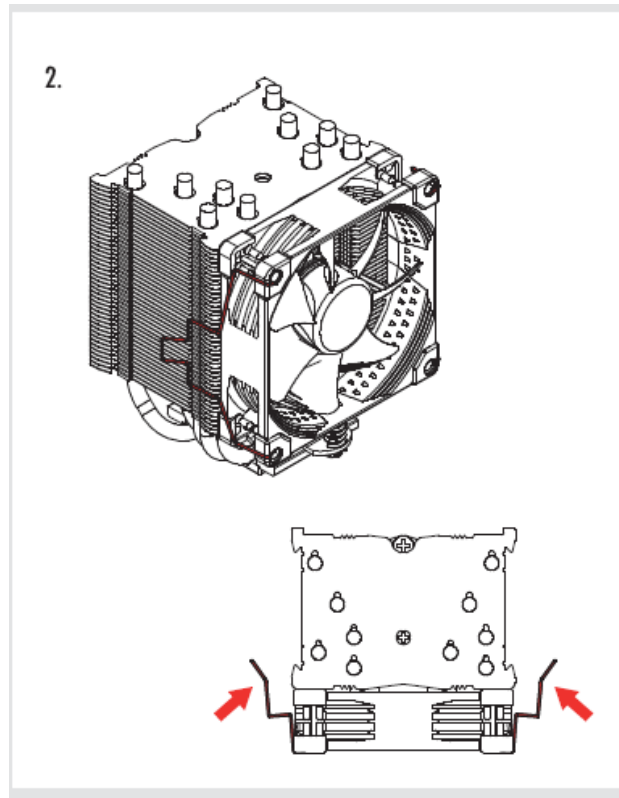
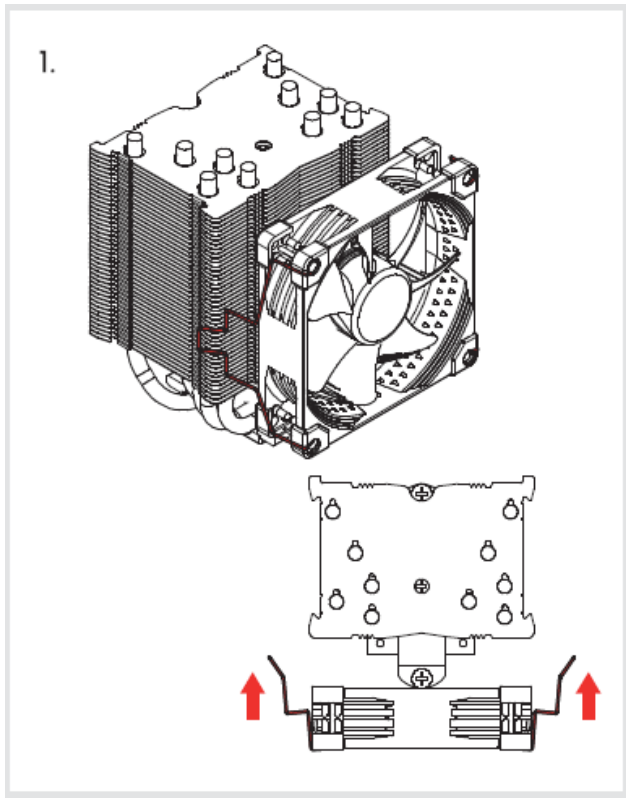
Fan setup

Caution, two fans direction diagrams need to be in the same direction, and the air flow must be directed to the IO port.



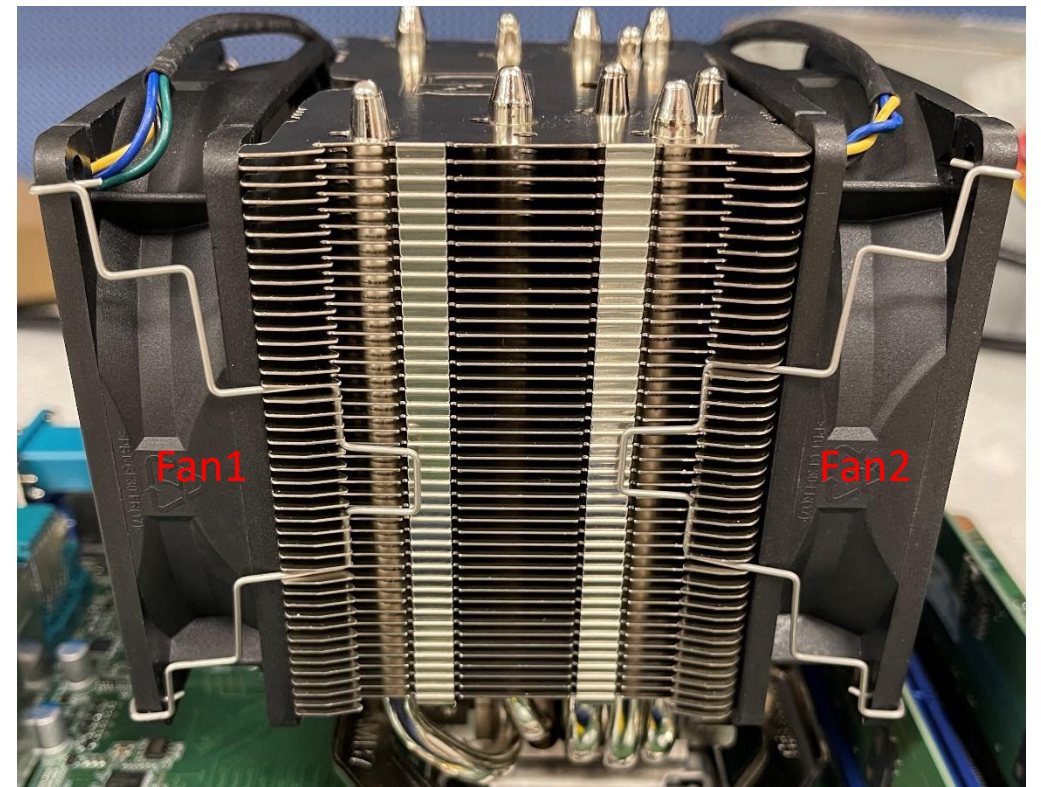
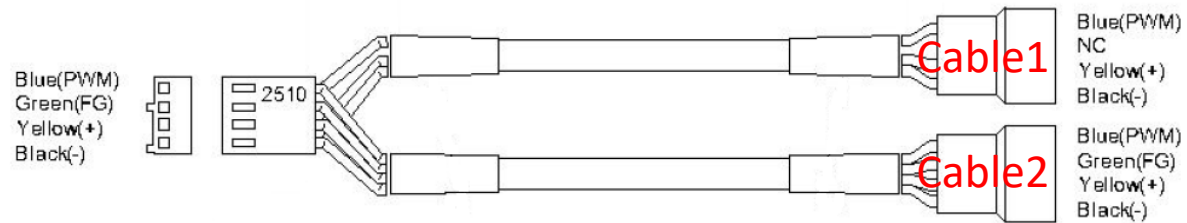
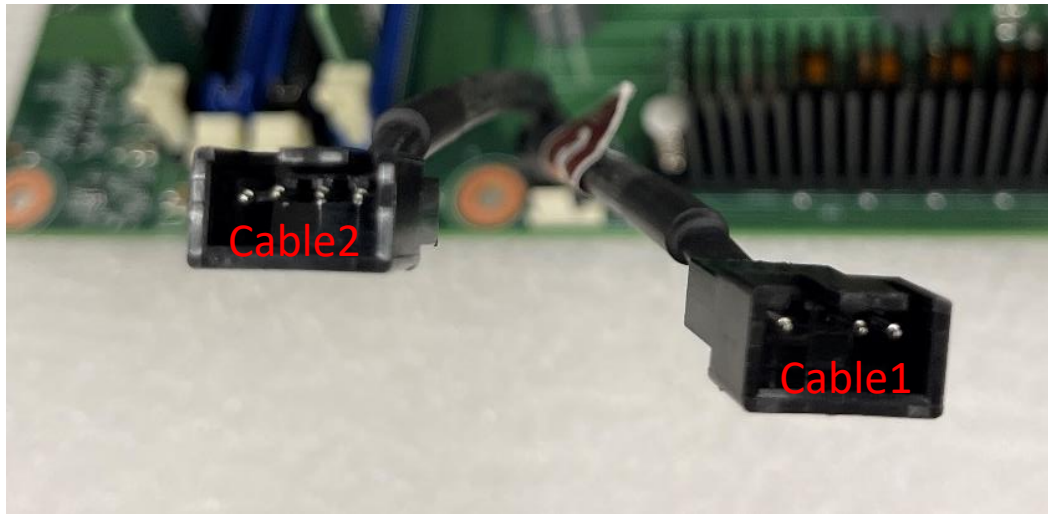
Fan setup

Follow three step, reattach two fans using the supplied fan clips.



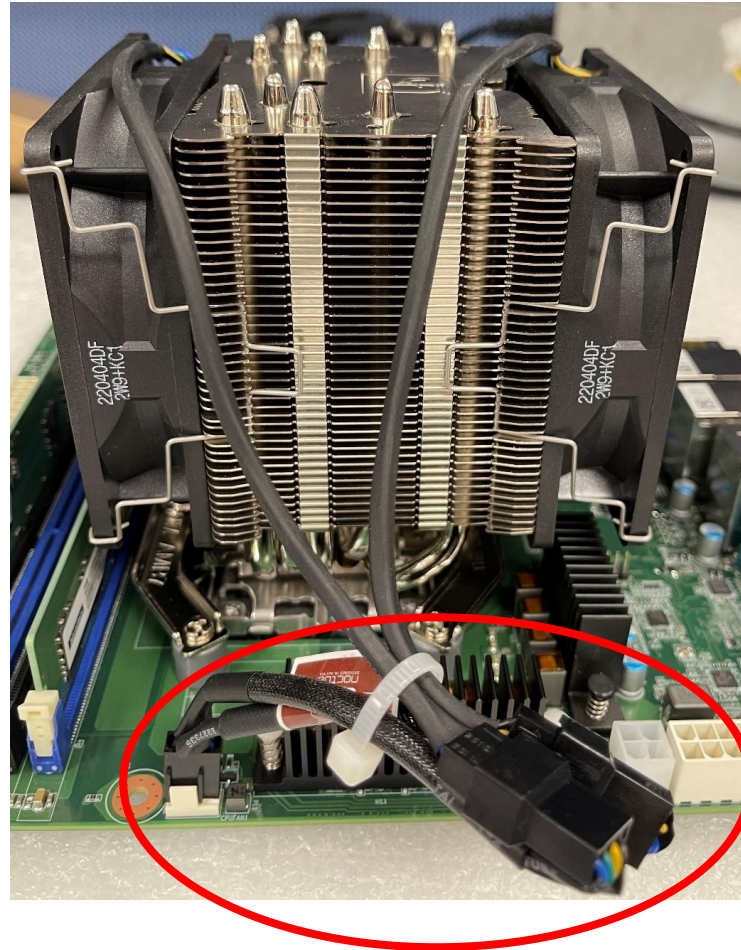
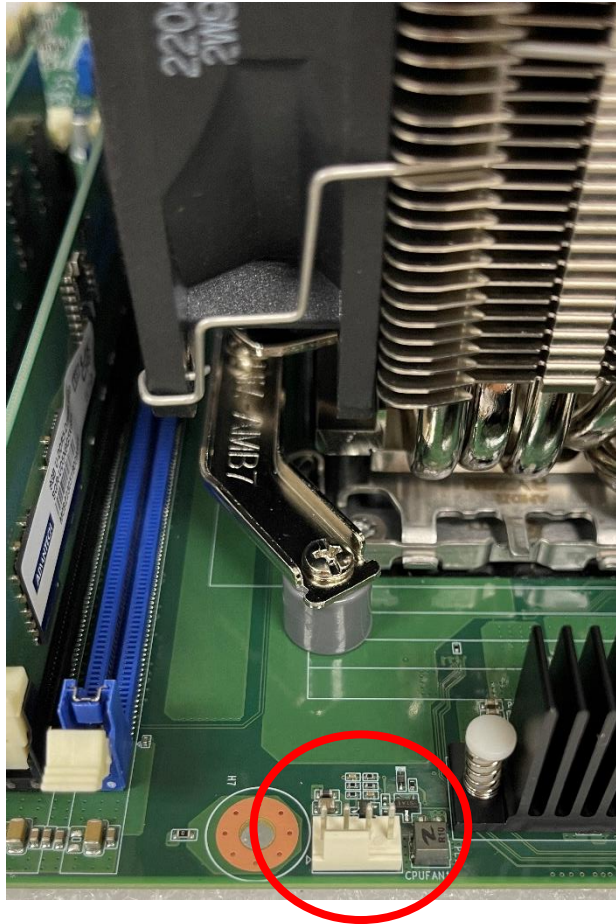
Fan setup

Connect two fans connector to Y-cable, and Fan1 to Cable1, Fan2 to Cable2.



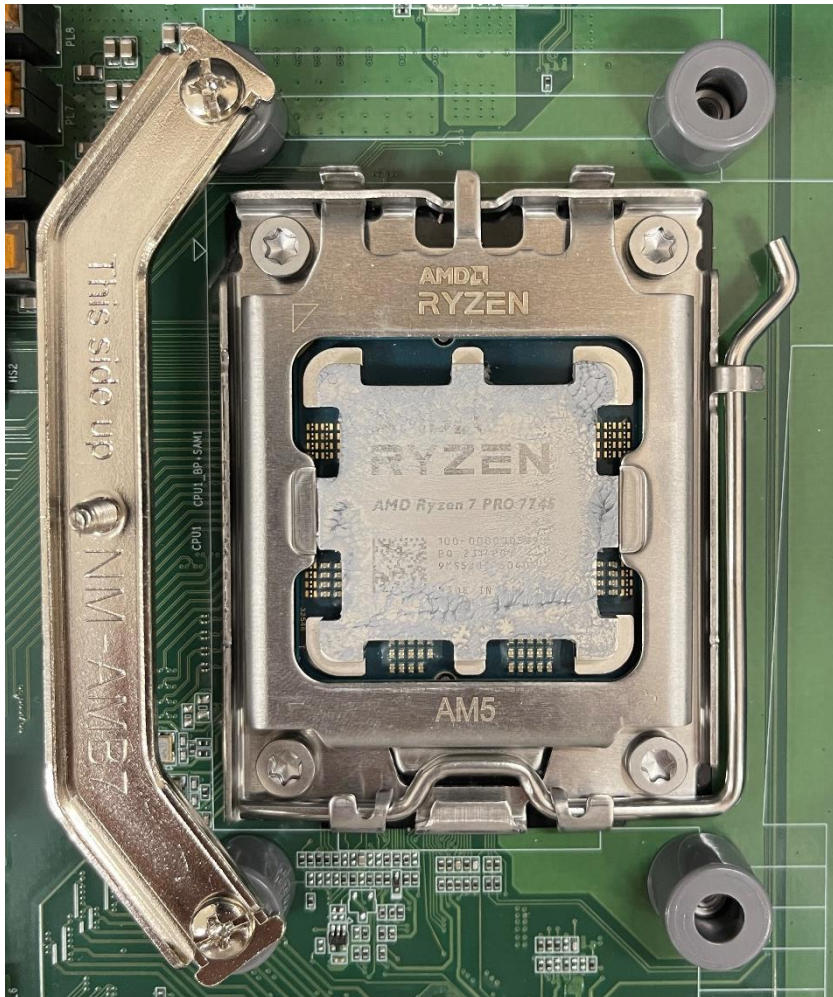
Fan setup

Connect Y-cable to the Motherboard CPU FAN1 connector.



Remove/Change CPU

Please follow page 9 to 3, and remove the right mounting bar to remove or change CPU.



Co-Creating the Future of the IoT World

