



ERRATA

Summary Title:

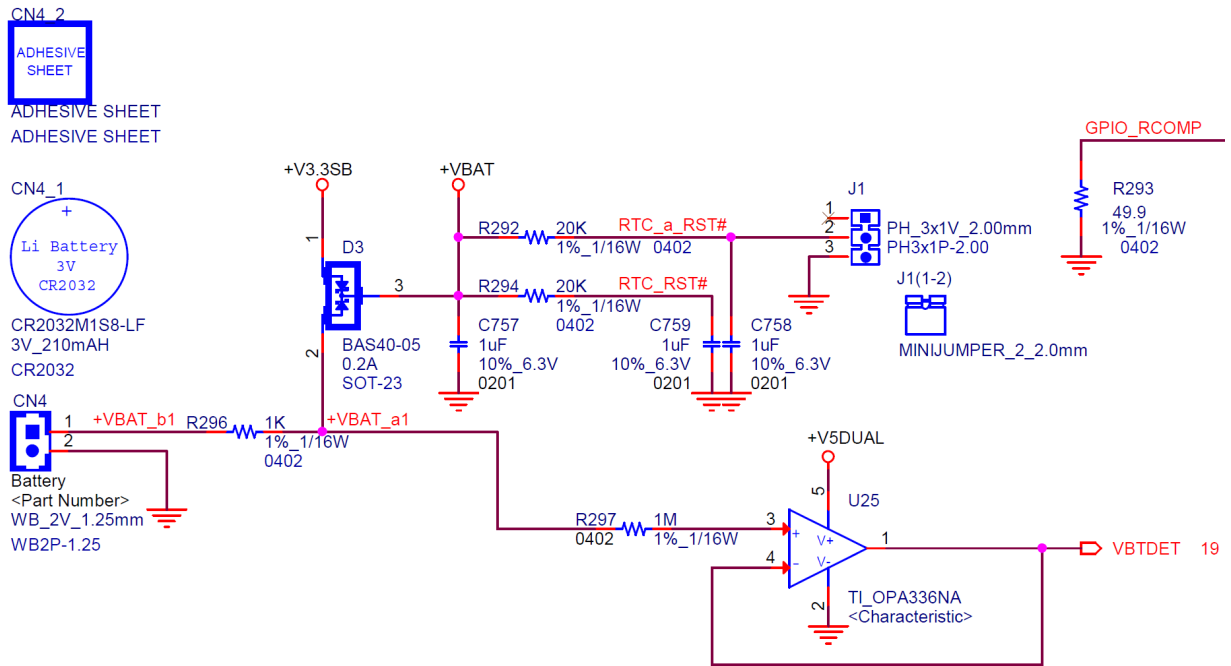
Change Title:	PCM-3365 support without CMOS Battery application.
Date of Publication:	March 12th , 2024

Issue Description:

On standard product specifications, PCM-3365 do not support without CMOS battery applications. When CMOS battery is removed, it will causing the board can't boot normally

Implication:

When CMOS battery is removed on PCM-3365, the signal +VBAT, RTC_a_RST#, RTC_RST#, due to D3 Diode blockage, there is no discharge path, so the discharge time is very long and causing the board can't boot normally.



Workaround:

In addition to requiring a customized BIOS (bypass CMOS checksum error)

The hardware must also execute rework.

1.Remove D3



2. Short Pin1 & Pin3 ,

add 0603 0Ω resistance across pin1 and pin3.

